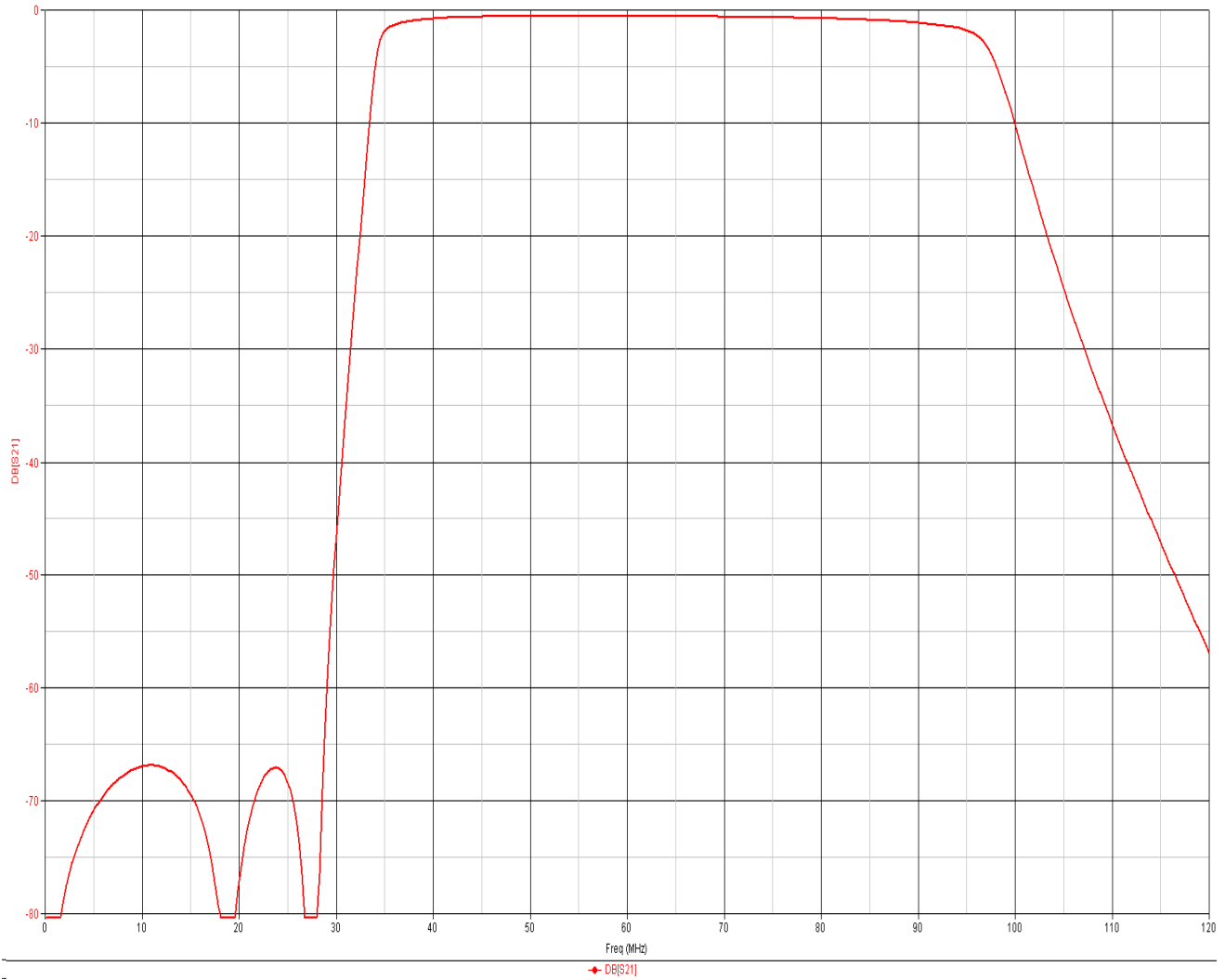
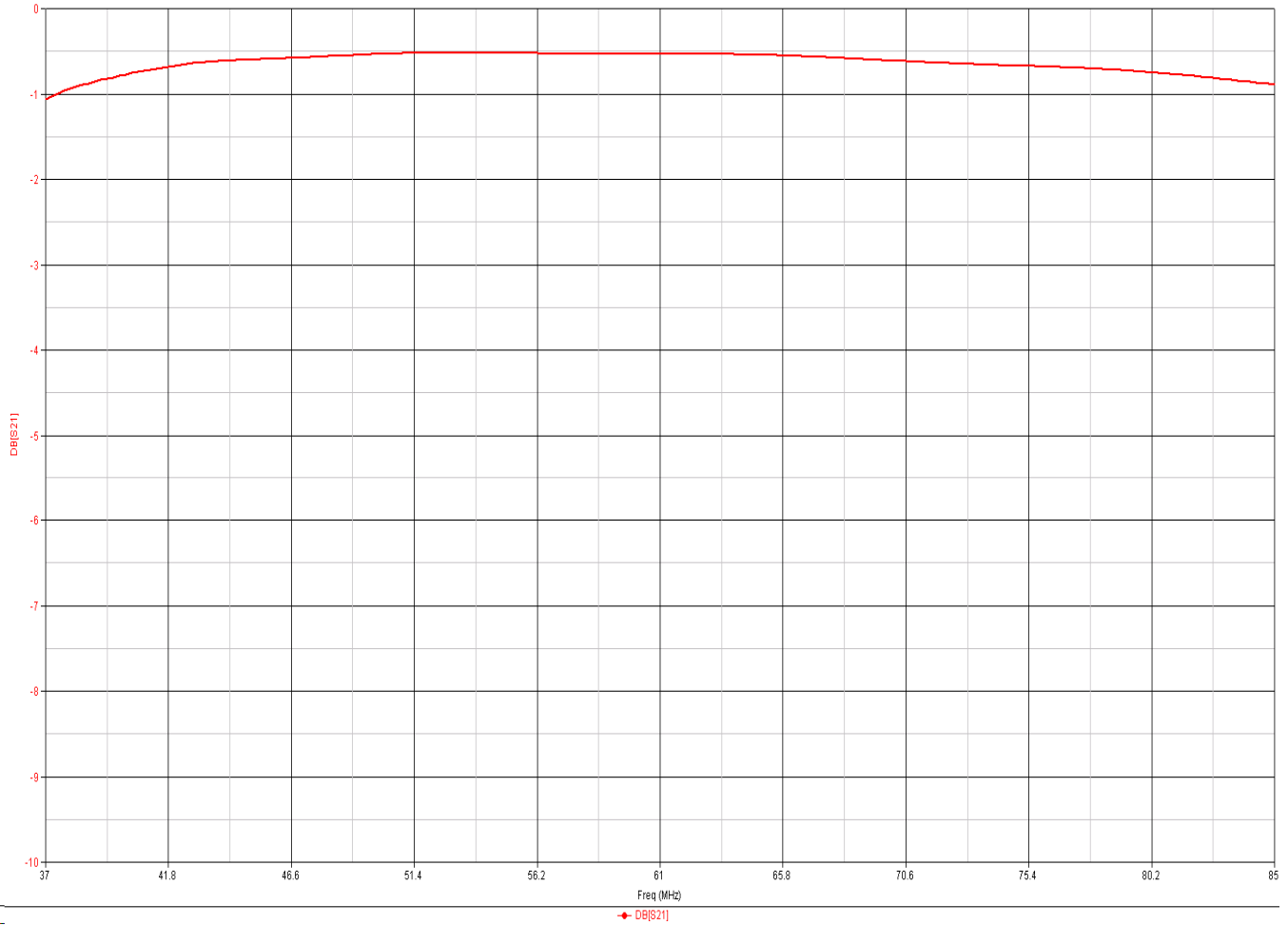


Simulation Results



Simulation Results

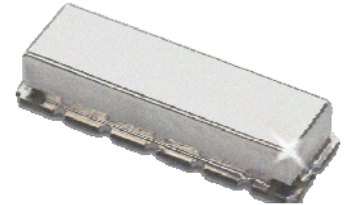
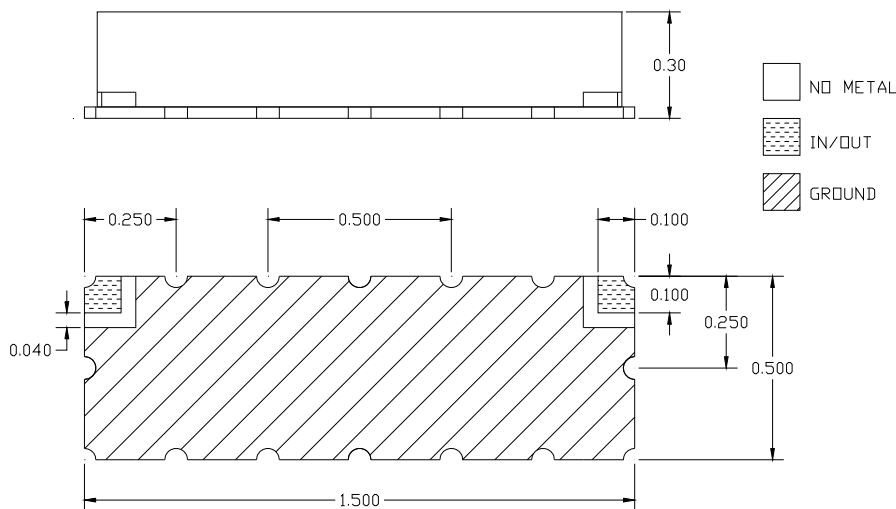


KR Electronics, Inc.

Specifications

Parameter	Spec	Typical/Notes
Part Number	TBD	
Filter type	Bandpass	
Center Frequency (Fc)	61 MHz	
Insertion Loss at 61 MHz	1 dBa max	
Insertion Loss 37 MHz to 85 MHz	1.5 dBa max	1 dBa typical
Attenuation at 25 MHz	60 dBc min	
Attenuation at 30 MHz	40 dBc min	
Source & Load	50 Ω	

Physical Dimensions



Notes:

1. Surface mount package, metal cover
2. Dimensions in inches
3. Max reflow temperature 230° C for 10 sec
4. If boards are cleaned after installation units must be completely dried

KR Electronics, Inc.
 91 Avenel Street
 Avenel, NJ 07001

Web www.krfilters.com
 Email sales@krfilters.com
 Phone (732) 636-1900
 Fax (732) 636-1982